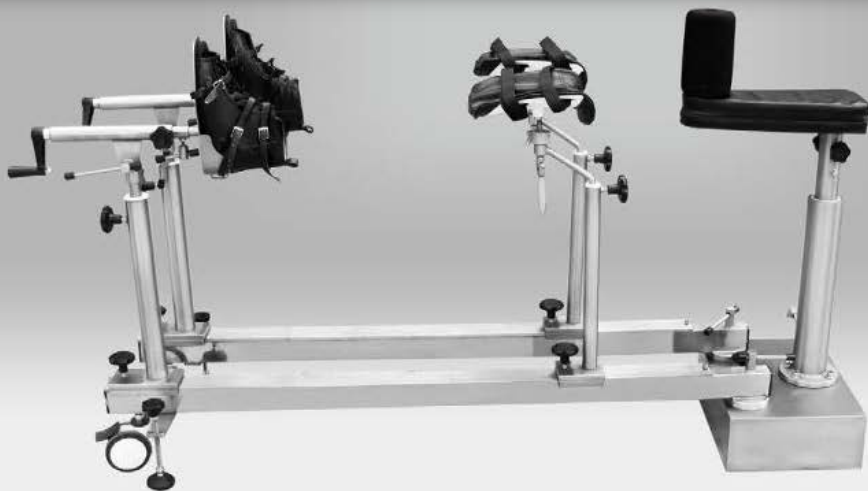




# EST line

Accessories for  
EST Operating tables



OPERATING THEATRE



## Optional General Accessories



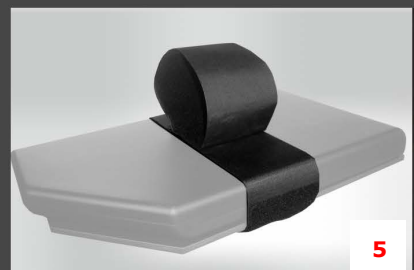
1



4



2



5



3



6



7

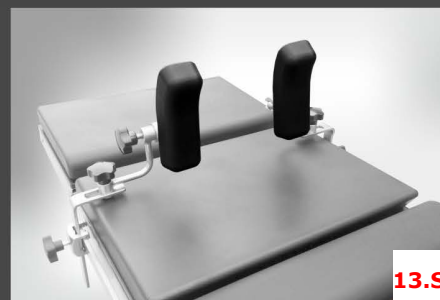


8

- 1) Cod. EST-100100**  
**Arm rest**  
 Integral poly pad, antistatic, 450mm long with attached clamp, horizontal and vertical adjustment, tiltable by socket joint.  
 (a pair of armrests are included as standard)  
 +  
**Cod. EST-100101**  
**Arm/Leg belts**  
 A pair of velcro strap belts as optional
- 2) Cod. EST-100102**  
**Wristlet**  
 With clamp, washable and exchangeable, textile velcro belt
- 3) Cod. EST-100103**  
**Infusion pole**  
 Upper section with 4 hooks, attachment clamp with socket joint
- 4) Cod. EST-100104**  
**Body restraint belt**  
 Washable velcro body belt
- 5) Cod. EST-100105**  
**Leg restraint belt**  
 Washable velcro belt for leg fixation, suitable for leg section
- 6) Cod. EST-100106**  
**Wristlet**  
 For attachment to anaesthesia frame EST-100107.  
 Washable and exchangeable textile velcro belt with attachment
- 7) Cod. EST-100107**  
**Anaesthesia frame**  
 With twist protection, adjustable height, lateral adjustment to make the frame to one side, with fixing clamps
- 8) Cod. EST-100108**  
**Anaesthesia frame**  
 With twist protection, adjustable height, with two fixing clamps

## Optional General Accessories


**9**

**11**

**13.S**

**10**

**12**

**13.L**
**9) Cod. EST-100109**
**Fixing clamp**

For codes :

EST-100108 Anesthesia frame  
EST-100113.S/113.L Lateral support  
EST-100116 Foot/knee rest  
EST-100118 Arm protector

**12) Cod. EST-100112**
**Fixing clamp**

Hexagon hole, lateral angle adjust., prevent the insertion pole rotation,  
For code:  
EST-100132 Countertraction post

**10) Cod. EST-100110**
**Fixing clamp**

Round hole, Ø14mm,  
no-lateral angle adjustment.

For codes :

EST-100100 Armrest  
EST-100103 Infusion pole  
EST-100106 Wristlet  
EST-100107 Anesthesia frame  
EST-100119 Instrument tray  
EST-100122 Tube holder  
EST-100130 Arm/hand board  
EST-100131 Arm/hand board  
EST-100134 Traction device  
EST-100161 Cross bar attachment

**13.S) Cod. EST-100113.S**
**Shoulder support**

Poly antistatic pad, width, lateral,  
angle and height are adjustable.  
Multifunctional pad 190x60mm


**13.1**
**13.L) Cod. EST-100113.L**
**Lateral support**

Poly antistatic pad, width, lateral,  
angle and height are adjustable.  
Multifunctional pad 190x60mm


**13.2**
**13.1) Cod. EST-100113.1**
**Multifunction support**

Width, lateral, angle and height are adjustable.

**11) Cod. EST-100111**
**Fixing clamp**

Round hole, Ø14mm,  
lateral angle adjustment.

For codes :

EST-100117 Leg holder  
EST-100121 Instrument tray  
EST-100135 Knee pos. Device  
EST-100137 Rectal support  
EST-100164 Elbow holder  
EST-100181 Feet support  
EST-100182 Leg support

**13.2) Cod. EST-100113.2**
**Pubis/sacrum/  
sternum support**

(Figure 2) 85x85 mm  
Covered foam pad, antistatic  
+

**Cod. EST-100113.3**
**Back/buttock  
support**

(Figure 3) 200x120 mm  
Covered foam pad, antistatic

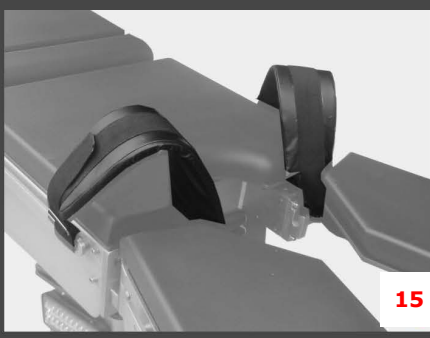

**13.3**
**13.3) Cod. EST-100260**
**Stainless steel lateral  
support**



## Optional General Accessories

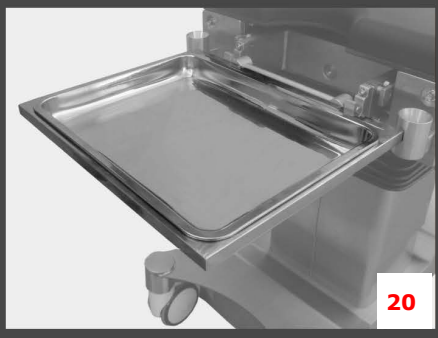
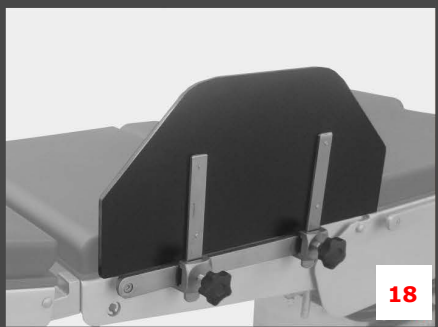
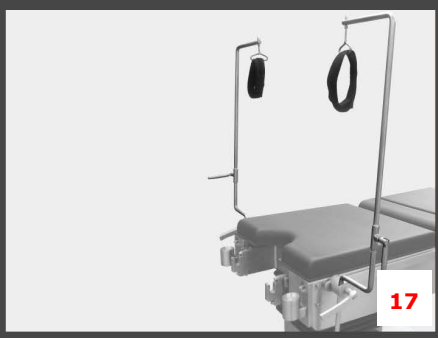


14) Cod. **EST-100114**  
**Accessories rack**  
 Stainless steel square-section tubular frame with rails for attachment of accessories and 1 basket, antistatic castors with lock



15) Cod. **EST-100115**  
**Leg restraint straps**  
 1 pair, with pads, for split leg section, incl. clamps to attach to side rails

16) Cod. **EST-100116**  
**Foot/knee rests**  
 (1 included as standard) Attached on the sides by fixing clamps, can be folded down to serve as the table-top extension, 300x215 mm (WxD)



17) Cod. **EST-100117**  
**Leg holder (lithotomy)**  
 1 pair, with removable loops made of washable textile straps. Height & lateral adjustment. It requires fixing clamp EST-100111

18) Cod. **EST-100118**  
**Arm protector**  
 It requires fixing clamp EST-100109

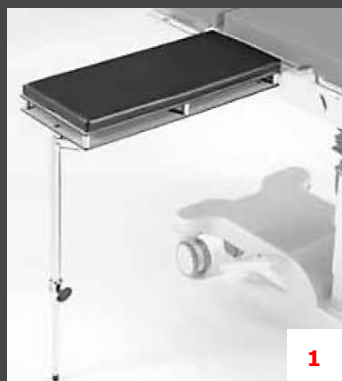
19) Cod. **EST-100119**  
**Instrument tray**  
 Adjustable height, it requires fixing clamp EST-100110  
 Tray size: 400x300 mm  
 Max Load: 6 kg

20) Cod. **EST-100120**  
**Instrument tray**  
 Mounted on the hooks of the table (without leg section)  
 Tray size: 450x330 mm  
 Max Load: 6 kg

21) Cod. **EST-100121**  
**Instrument tray**  
 Height and lateral adjustment, it requires fixing clamp EST-100111  
 Tray size: 450x330 mm  
 Max Load: 6 kg

22) Cod. **EST-100122**  
**Tube holder**  
 (no pictures), for secure positioning of monitor cables

# Accessories for orthopaedics, traumatology, spinal surgery and orthopaedic extension



1



5



2



6



3



4



7

## 1) Cod. EST-100130

### Arm/hand operating board

Radiolucent board with covered antistatic foam pad, with double-layer design suitable to X-ray. X-ray cassette holder can be placed underneath. 700x300 mm (WxD)

## 2) Cod. EST-100131

### Arm/hand operating board

Radiolucent board with covered antistatic foam pad, ergonomic shape for optimal access to the surgical field, suitable to C-arm 600x440 (WxD)

## 3) Cod. EST-100132

### Countertraction post for upper arm

Poly pad, max. load : 12kg, requires attachment clamp EST-101112

## 4) Cod. EST-100133

### Humerus traction device

+

### Cod. EST-100134

### Weiberger traction device

For hand and finger positioning and traction, hand plate and finger holder of plastic material, to be attached to upper arm positioning device suitable for C-arm, max. load 30kg

## 5) Cod. EST-100135

### Cushion

For intervertebral disc operations, also as protection for the chest, reducing pressure, keeping good respiratory and circulatory functions in the cervical and lumbar spinal surgery. 630x460x130 (WxDxH)

## 6) Cod. EST-100136

### Knee positioning device

Manual adjustment, with gel pad and fastening strap. Side rail attachment (requires attachment clamp EST-100111) Max. load 25kg

## 7) Cod. EST-100137

### Rectal (abdomen) positioning support

Combined with EST-100116 for spinal surgery, rectal surgery, covered with antistatic poly pad, with height and lateral adjustment

+

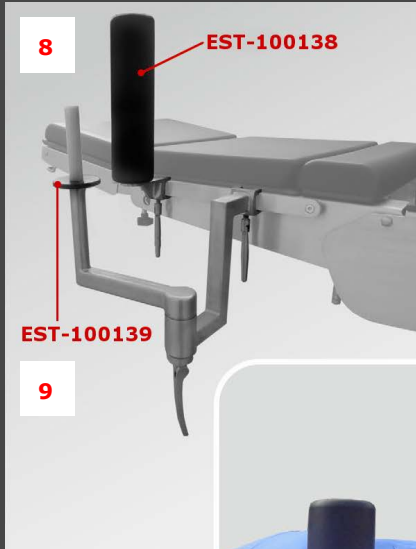
### Cod. EST-100116

### Foot/knee rests

(1 included as standard) Attached on the sides by fixing clamps, can be folded down to serve as the table-top extension, 300x215 mm (WxD)



## Accessories for orthopaedics, traumatology, spinal surgery and orthopaedic extension



### 8) Cod. **EST-100138**

#### **Axilla support**

Padded, radiolucent with countertraction post, including clamps.

### 9) Cod. **EST-100139**

#### **Elbow support**

Swivelling via eccentric lever joint, including clamps. Recommended to use with EST-100133 & EST-100134 humerus traction and Weiberger traction device.

### 10) Cod. **EST-100140**

#### **Shoulder surgery device**

Self-operated type by use power of surgical table itself, placed instead of legsection, it is only compatible to the EST-XD2E. It includes also a head support (EST-100141) and an actuator (EST-100142)

#### **Cod. EST-100141**

#### **Head support**

For the shoulder surgery device.

#### **Cod. EST-100142**

#### **Actuator**

For the shoulder surgery device.



## Extension device



1



2



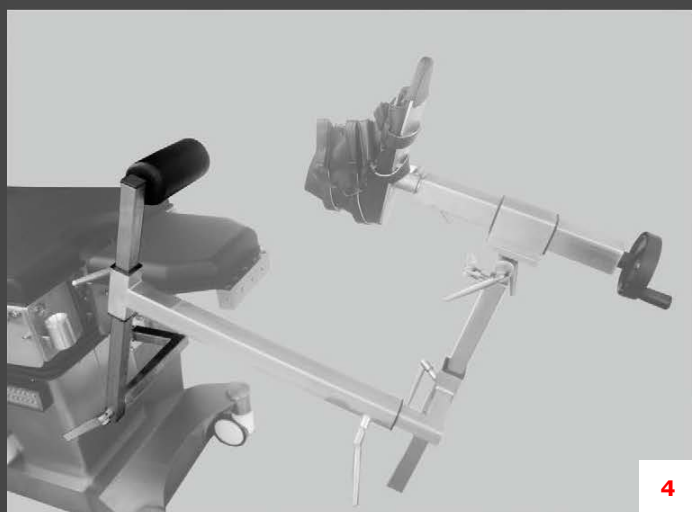
3



1



5



4

**1) Cod. EST-100150**  
**Sacro post extension device**

For treatment of all kinds of lower limb fractures.

Main features:

- Fast, simple and secure attaching to the operating table.
- Modular structure for an optimal range of application

- Unobstructed access to the lower limbs for C-arm image intensifier and complete transillumination of the two axes, no any blind area for C-arm application
- Well-devised accessories for comfortable and precise positioning of the patient
- Including trolley, two supporting bars and EST-100151, EST-100152, EST-100154 and EST-100155(2 pieces)

**2) Cod. EST-100151**  
**Positioning board**  
For extension device positioning

**3) Cod. EST-100152**  
**Sacro post**  
**(countertraction post for femur)**  
For surgery with the patient in lateral position

**4) Cod. EST-100153**  
**Tibia/fibula countertraction post**  
Countertraction post for tibia and fibula with radiolucent padded roll, height and inclinable adjustment for attachment to extension device EST-100150

**5) Cod. EST-100154**  
**Pelvis cast**  
The carbon-fiber countertraction post can be laterally moved



## Extension device

**6) Cod. EST-100155**  
**Adult Foot rest**

Extension part, shoe holder with adult shoe (1 pc).  
Optional shoe for children  
cod. EST-100155C (1 pc)



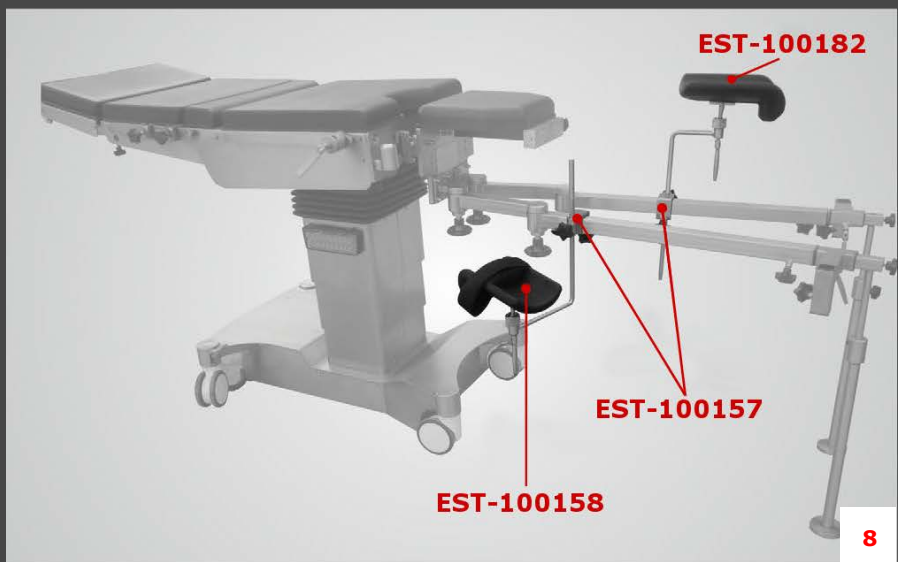
6

**7) Cod. EST-100156**  
**Pelvis support**

Pelvis plaster adapter with pelvis support, with removable pelvis rest, adult as standard.  
Optional for children cod. EST-100156C



7



**8) Cod. EST-100157**  
**Fixing clamp**

Only for EST-100158 and EST-100182 leg rests for EST-100150 extension device

**8) Cod. EST-100158**  
**Lower leg rests**

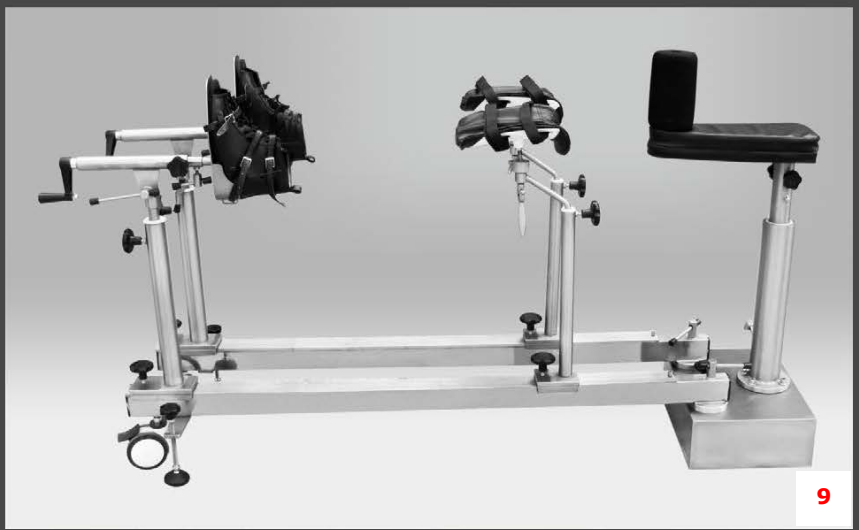
Optional pair of velcro strap belts EST-100101

**8) Cod. EST-100182**  
**Upper leg rests**  
(a pair included as standard)  
Optional pair of velcro strap belts EST-100101

8

**9) Cod. EST-100159**  
**Extension device**

For treatment for legs traction, reset and legs operation.  
Not suitable for C-arm.



9



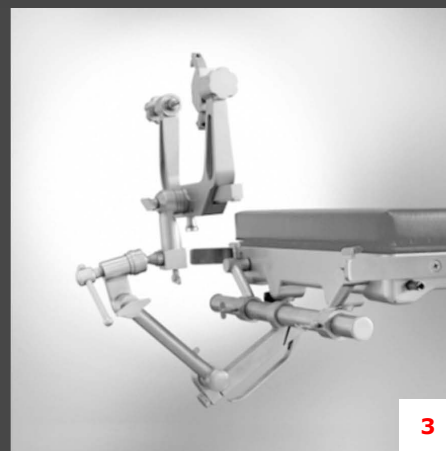
## Accessories for neurosurgery



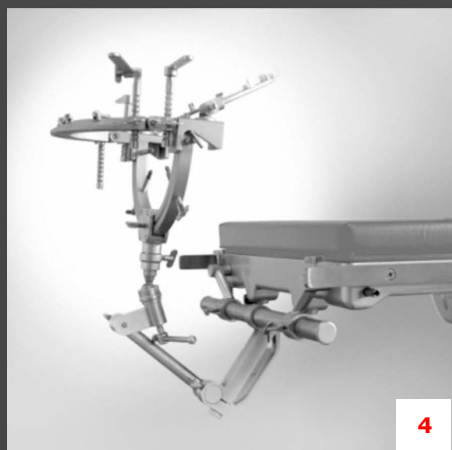
1



2



3



4



5

### 1) Cod. **EST-100160**

#### **Head rest**

1-section, pad head rest, optimal pressure distribution in prone and supine position. Max. load 15 kg

### 2) Cod. **EST-100161**

#### **Cross bar attachment**

Stainless steel, for seated positioning in neurosurgery, adjustment for different table widths. It requires two clamps EST-101110

### 3) Cod. **EST-100162**

#### **Head skull clamp**

For a secure and stable 3-point fixation of patient's head in supine, prone, lateral or sitting position. With 3 pins for adults.

### 4) Cod. **EST-100163**

#### **Brain retractor system**

Unobstructed access to the surgical field. An open ring is crucial for the skull base applications. Recommended for posterior fossa. Mini J-arm allows vertical and horizontal movements

### 5) Cod. **EST-100164**

#### **Elbow holders**

1 pair. For ENT and plastic surgery. Height and lateral adjustable, it requires fixing clamp EST-100111 and EST-100160 head rest.

## Accessories for gynaecology and urology



1



4



5



2



3



6

### 1) Cod. EST-100180

#### Leg Support

1 Pair. Adjustable height and swivelling from the foot end, servo-assisted, plastic support with gel pad for foot and lower leg, adjustable to all directions. Special attachment clamps already included.

### 2) Cod. EST-100181

#### Feet Support

1 Pair. Specially designed for gynaecology use during the inspection, operation and delivery. It requires attachment clamp EST-100111

### 3) Cod. EST-100182

#### Leg Support

(1 Pair included as standard). 1 Pair. Integral polypad, antistatic, stainless steel. It requires attachment clamp EST-100111. Optional pair of velcro strap belts EST-100101

### 4) Cod. EST-100183

#### Handle

1 Pair. For women grasping during inspection and delivery.

### 5) Cod. EST-100002

#### Gyn aiding table/leg section

Detachable, for gynaecology surgery, delivery, giving support to doctors during dystocia. One section type.

### 6) Cod. EST-100185.1

#### Liquid collection basin without drain

Made of stainless steel. Attachment to table column, Basin size 330x265x150 mm (WxDxH)

### Cod. EST-100185.2

#### Liquid collection basin with drain

Made of stainless steel, with drainage tube. Attachment to table Attachment to table column, with outlet and plastic tube. Basin size 330x265x150 mm (WxDxH)

### Cod. EST-100185.B

#### Waste bucket 20L

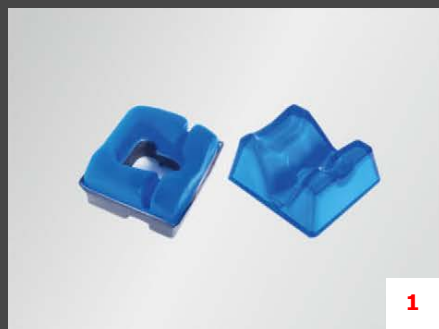
Made of stainless steel

### Cod. EST-100185.T

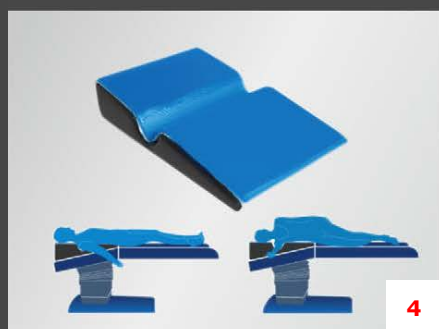
#### Mobile waste bucket 20L

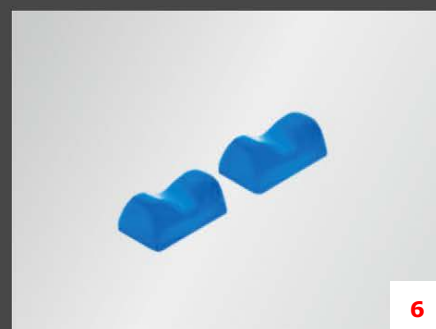
Made of stainless steel, on casters

## Positioning aids


**1**

**2**

**3**

**4**

**5**

**6**

### 1) Cod. **EST-101001**

#### **Adult gel head rest for prone position**

Adult size, anatomically designed to maintain the patient's head in a comfortable face down position. Output for ET tubes on both sides. Size 280x240x140mm (WxDxH)

#### **Cod. EST-101002**

#### **Pediatric gel head rest for prone position**

Pediatric size, anatomically designed to maintain the patient's head in a comfortable face down position. Output for ET tubes on both sides. Size 250x200x100mm (WxDxH)

### 2) Cod. **EST-101003**

#### **Adult gel head ring for supine position**

Adult size, closed type, it protects head and ears during surgery in supine position. Size 200x50mm

#### **Cod. EST-101004**

#### **Pediatric gel head ring for supine position**

Pediatric size, closed type, it protects head and ears during surgery in supine position. Size 140x30mm

### 3) Cod. **EST-101005**

#### **Adult gel head open ring for lateral position**

Adult size, open type, it provides stability and protection to the patient's face during surgery in lateral position. Size 200x55mm

#### **Cod. EST-101006**

#### **Pediatric gel head open ring for lateral position**

Adult size, open type, it provides stability and protection to the patient's face during surgery in lateral position. Size 140x35mm

### 4) Cod. **EST-101007**

#### **Gel pad for lateral positioning**

For safe lateral position, to relieve pressure on the shoulder joint and protect the nerve tracts, for surgical interventions on the hip, on the shoulder or on the kidney. Size 700x500x160mm (WxDxH)

### 5) Cod. **EST-101008**

#### **Thyroid gland positioning pad**

Designed to protect and support neck in the thyroid and neck surgery, the pad aids to fully extend operation vision field for surgeons. Size 480x390x90mm (WxDxH)

### 6) Cod. **EST-101009**

#### **Gel heel pads**

1 Pair. To support the Achilles area and relieve the pressure on the patients heels during lengthy surgical procedures. Size 180x100x70 mm (WxDxH)

## Positioning aids

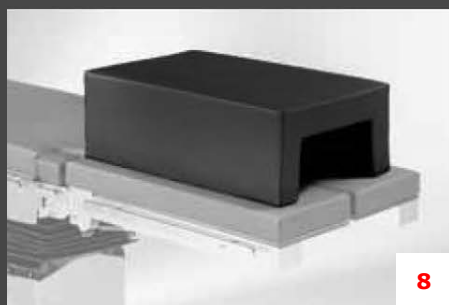


7) Cod. **EST-101110**  
**Full body pad**

Full body pad set to relieve patient pressure during the operation

8) Cod. **EST-101111**  
**Tunnel cushion**

For lateral patient positioning, to prevent the risk of positioning damage to the patient's legs. Antistatic, covered pad with special foam core of 70mm thickness. Size 650x400x220mm (WxDxH)



9) Cod. **EST-101112**  
**Double wedge pad**

For supine patient positioning, designed to prevent brachial plexus paralysis and to stabilize the head. Size 440x500x100 mm (WxDxH)



10) Cod. **EST-101113**  
**Cushion**

Antistatic covered poly pad. Size 130x504x504mm (WxDxH)

11) Cod. **EST-101114**  
**Intervertebral disk pad**

Radiotransparent for intervertebral disk operations. Special foam with cover. Abdominal opening 270x240mm. Size 640x420x100mm (WxDxH)



12) Cod. **EST-101115**  
**Intervertebral disk pad**

For intervertebral disk operations. To put the patient in prone position.

